

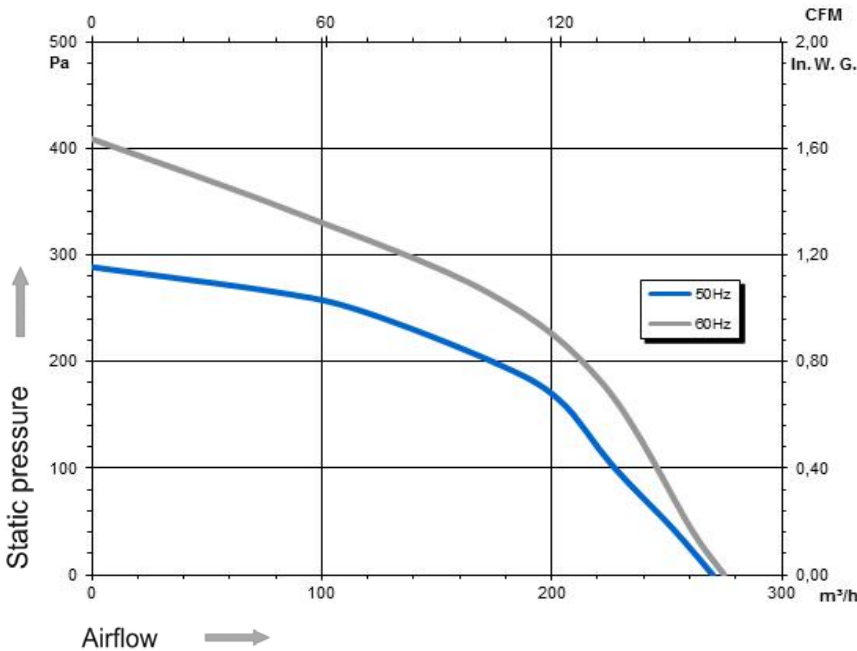
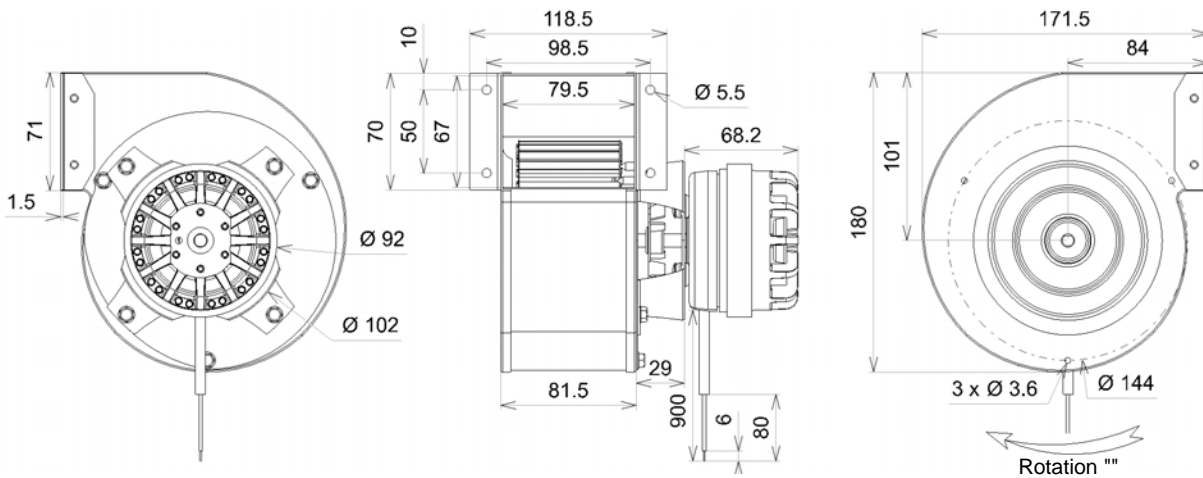
## 2GTA15 120x62R P/N Q11-05

Voltage	Frequency	Input power	Current	Capacitor	Airflow	Speed rotation	Noise level	Rotation direction	Operating temperature	ErP 2013	ErP 2015
V	Hz	Wa	A	µF	m³/h	RPM	dBA	↻	Min / Max		
230	50	68	0,30	2,0	270	1 685	55	R	-20°C / +70°C	NA	NA
230	60	80	0,35	2,0	275	1 700	55	R	-20°C / +70°C		
230	50				158 CFM				-4°F / +158°F		
230	50				161 CFM				-4°F / +158°F		



dBa : free let out

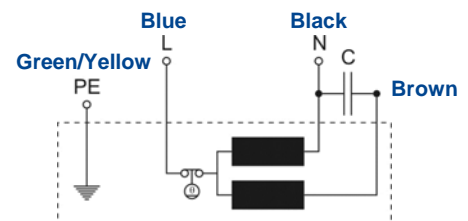
NA : Not Applicable



- Weight : 2,4 Kg
- Ball bearing
- Class F, thermally protected
- IP20 Protection depending on installation and position as per EN60034-5
- G2.5 balancing
- Galvanized steel impeller
- Galvanized steel scroll housing
- Rotor : black paint
- Maximum temperature on steel impeller 220°C.



Capacitor for 50Hz	Capacitor for 60Hz	Finger guard
19008	19008	21236



Non contractual document. All specifications are subject to change without prior notice. Picture for information only.